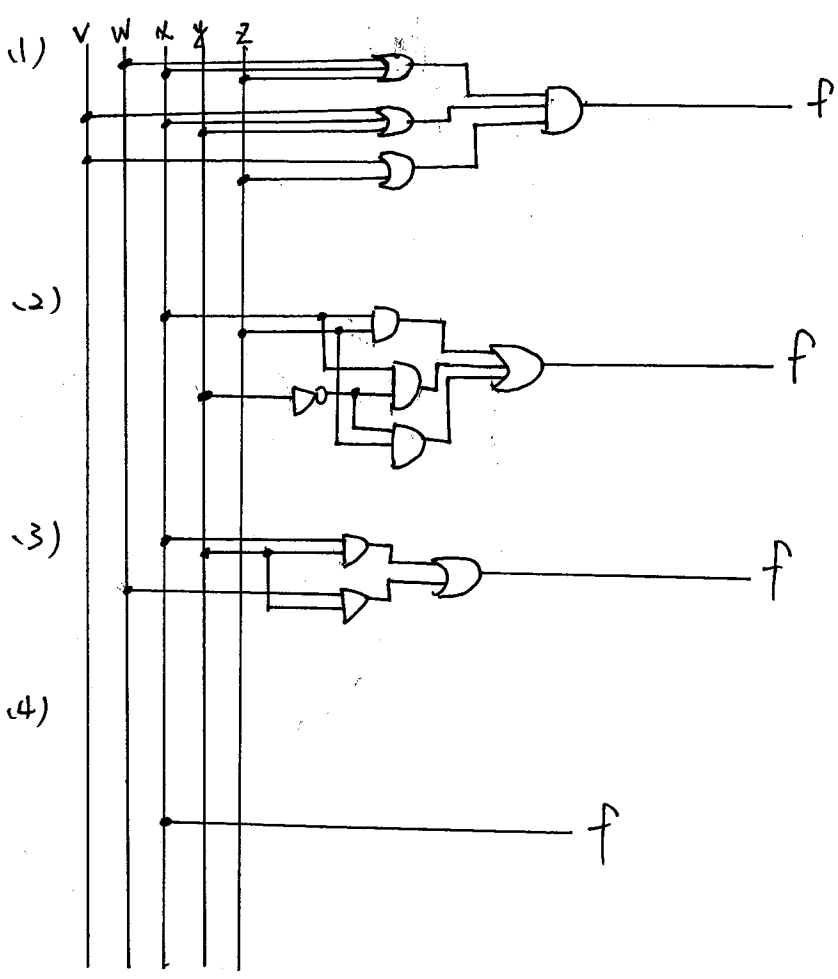


許祐寧

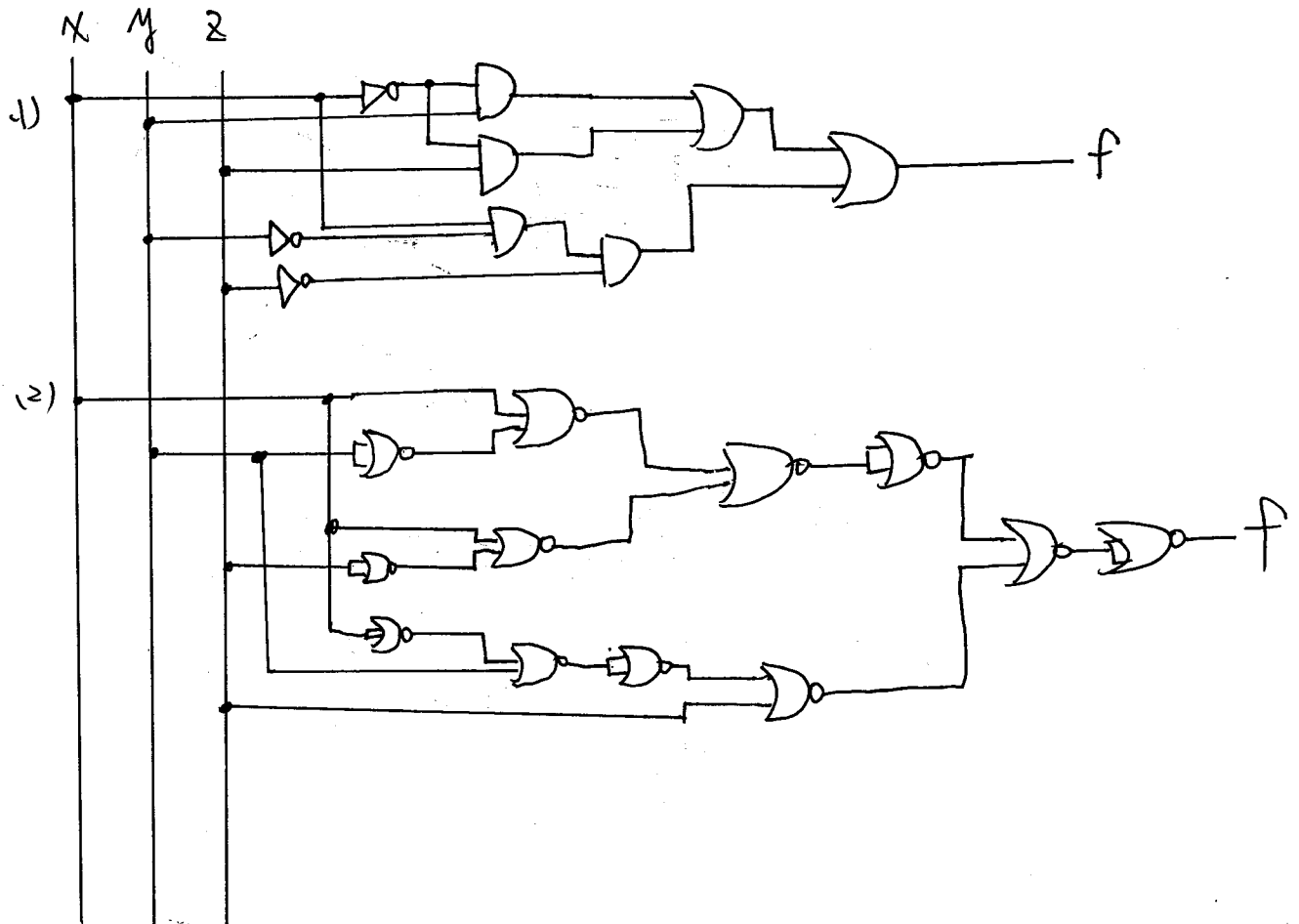
2.21



$$\begin{aligned}
 (3) f(W, X, Y, Z) &= XY + Y(WZ' + WZ) \\
 &= XY + WY(Z' + Z) \\
 &= \underline{\underline{XY + WY}}
 \end{aligned}$$

$$\begin{aligned}
 (4) f(W, X, Y, Z) &= XYZ + (X+Y)(X+Y') \\
 &= XYZ + X + XY + XY' \\
 &= X(1 + YZ + Y + Y') \\
 &= \underline{\underline{X}}
 \end{aligned}$$

2.29



3)

