

6

5

4

3

2

1

D

D

C

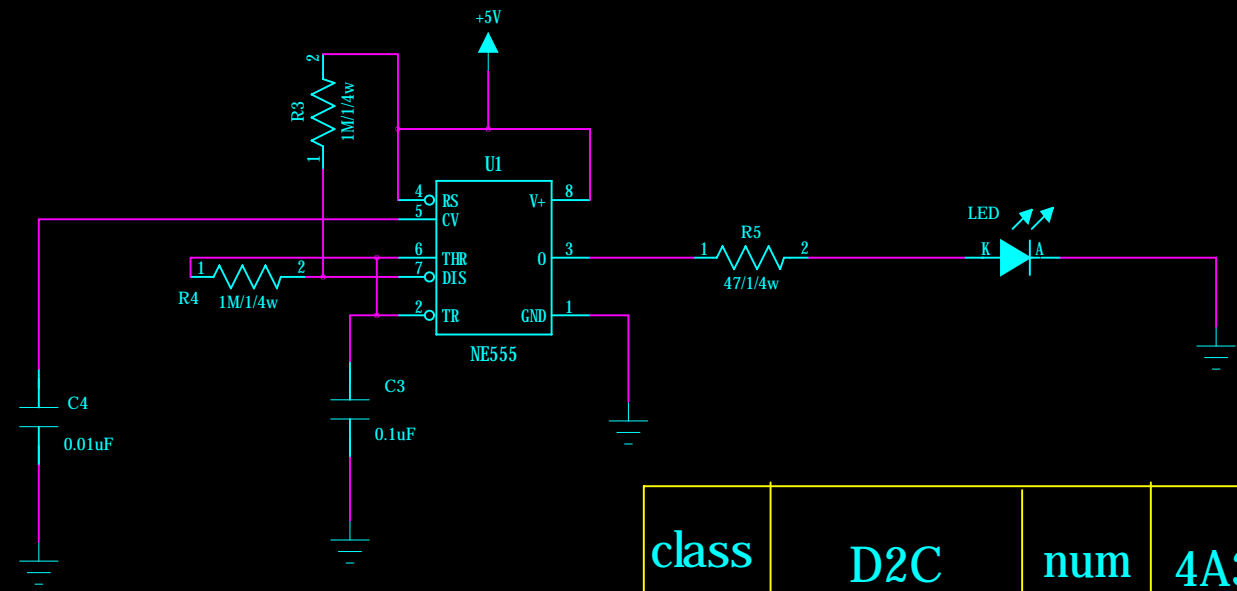
C

B

B

A

A



class	D2C	num	4A337014	name	W.S.Z
fig	pwr555	date	2016/03/08	ver	1