

6

5

4

3

2

1

D

D

C

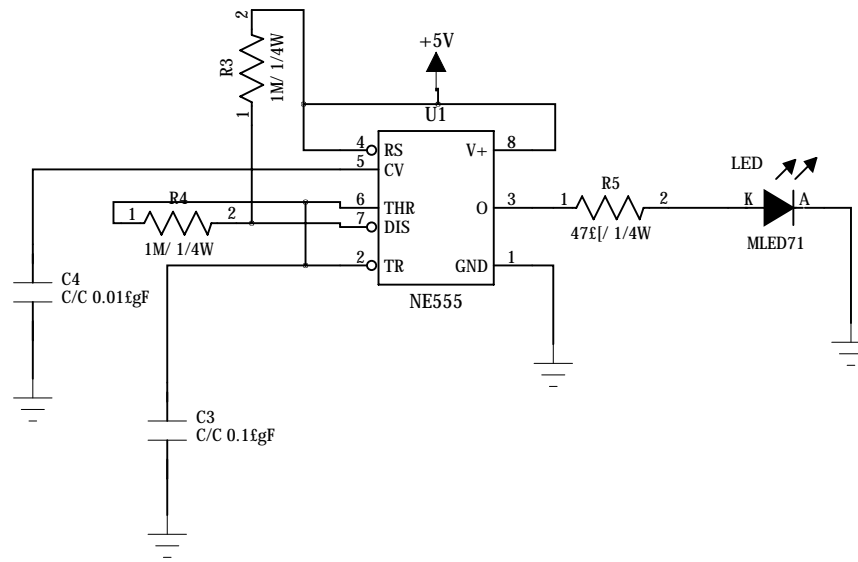
C

B

B

A

A



CLASS	Wafer 2B	NUMBER	4A337001	NAME	KAI WEI YANG
FIG	PWR555	DATE	2016/3/1	VER	V 1.0