

6

5

4

3

2

1

D

D

C

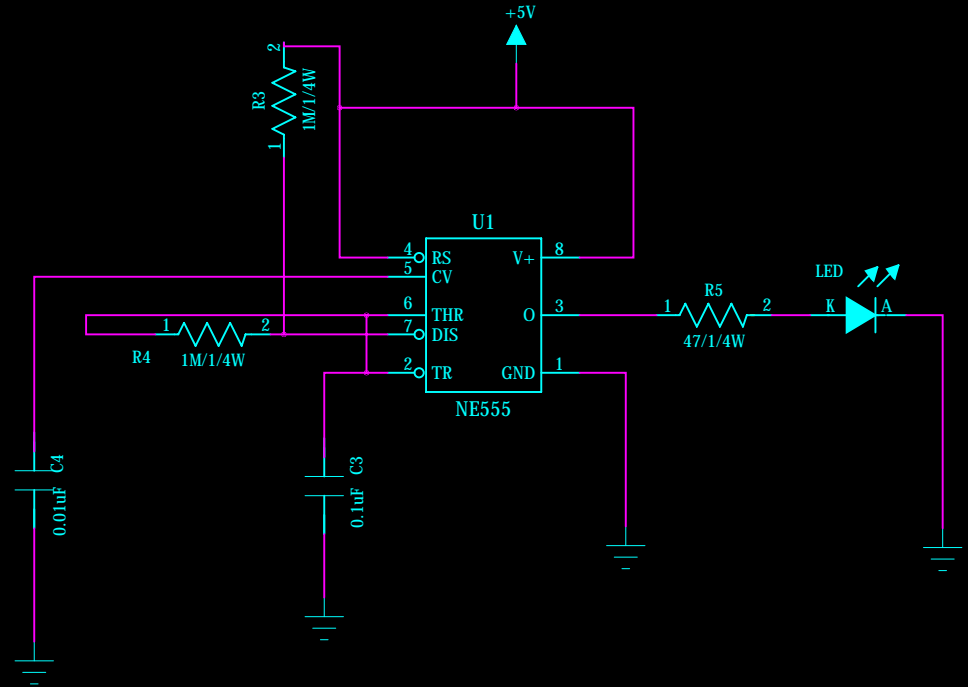
C

B

B

A

A



class	D2C	num	4A337024	name	Frank Zhan
fig	PWR555	date	2016/03/08	ver	V1.0