

6

5

4

3

2

1

D

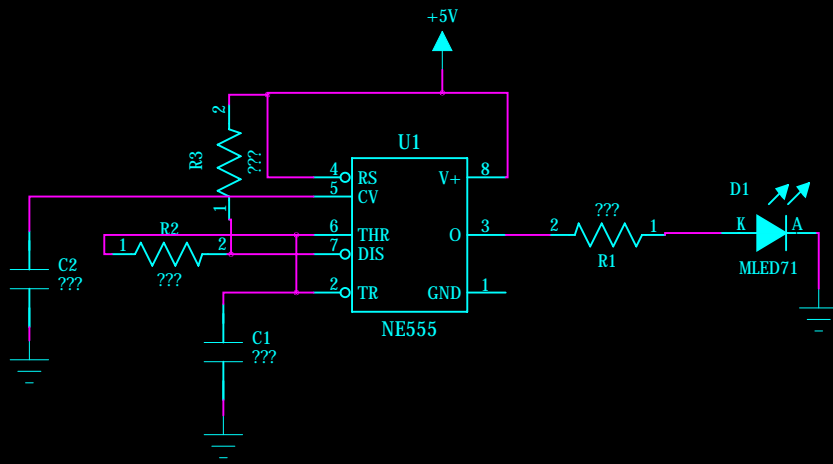
D

C

C

B

B



A

A

class	D2C	Num	4A337010	Name	Yu Lun Hsu
Fig	pwr555	Date	2016/03/08	Var	2