

6

5

4

3

2

1

D

D

C

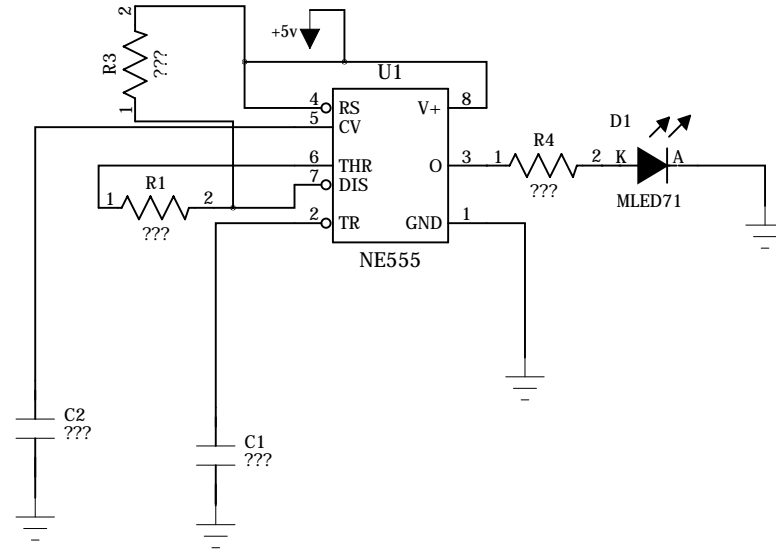
C

B

B

A

A



class	N2E	Num	4A337022	Name	Tzu-Ting
FIG	Pwr555	Date	2016/03/08	Ver	1