

6

5

4

3

2

1

D

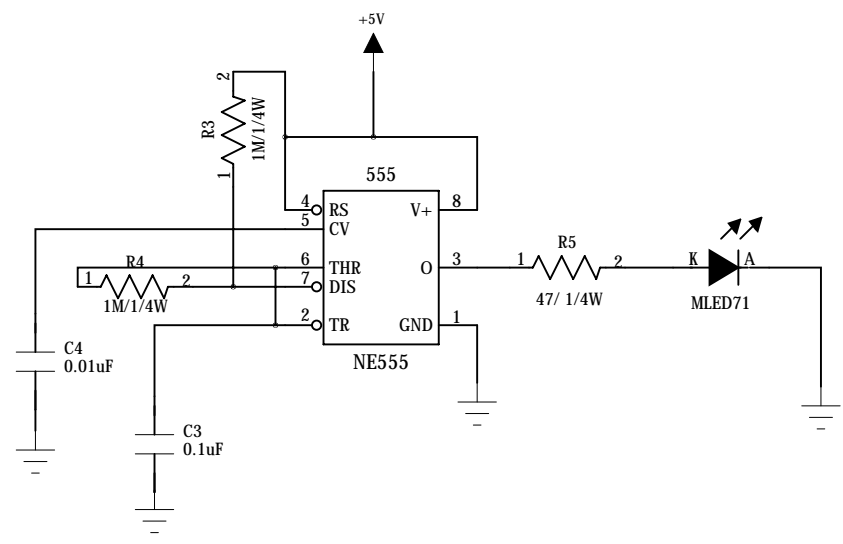
D

C

C

B

B



A

A

class	n2e	num	4A337020	name	I-Fan Pan
fig	pwr555	date	2016/03/18	ver	NO.1