

6

5

4

3

2

1

D

D

C

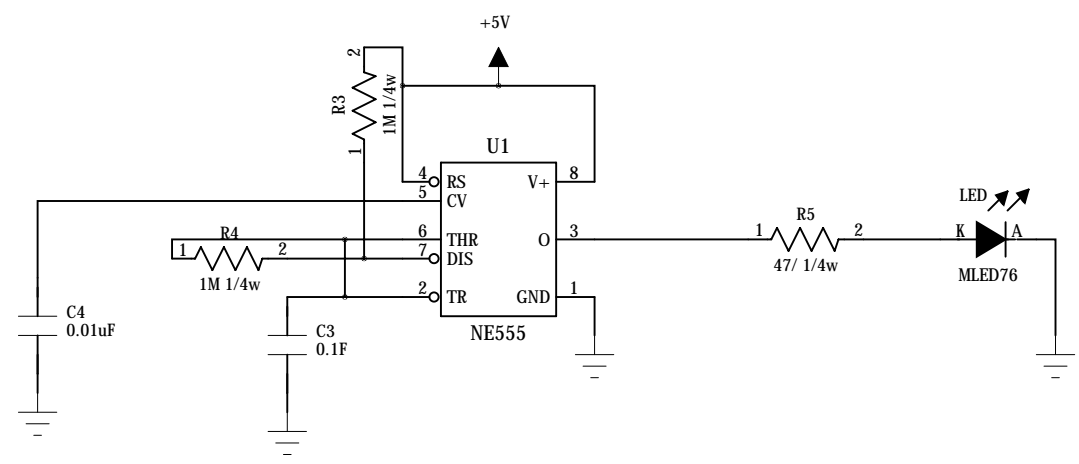
C

B

B

A

A



Class	N2E	Num	4a337015	Name	wang
Fig	PWR555	Date	2016/03/08	Ver	1