

專題規劃

題目－農耕機器人

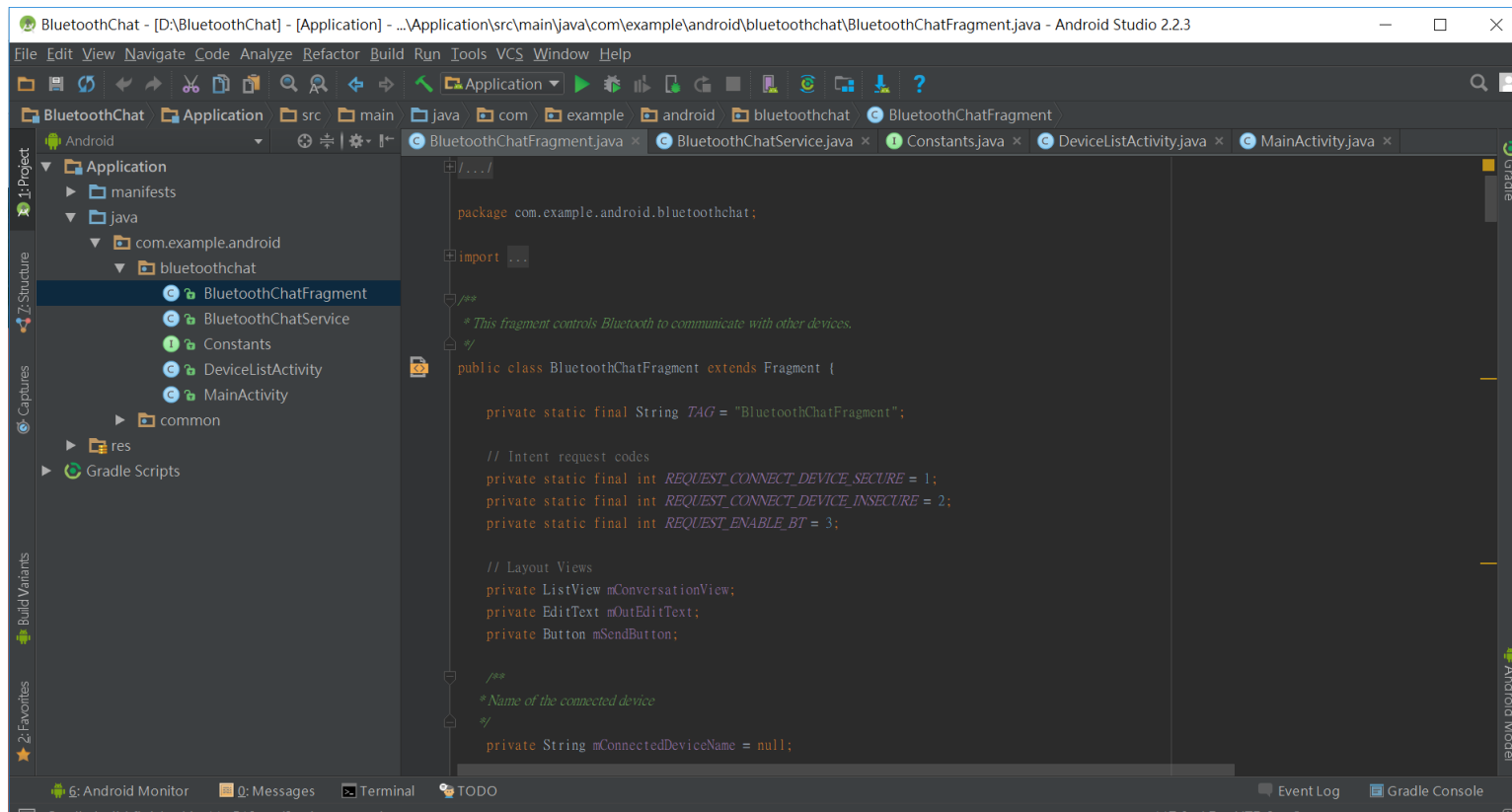
指導教授：李博明

組員:4A337091 高光廷
4A337048 張峻承
4A337099 陳義文
4A337073 張呔旗

本週進度

車架部分已印完，待周末買螺絲組裝即可完成，接著準備購買刀具的底座。

GPS的部分是用這範例程式修改 BluetoothChat 改接收 GPS資料而不是單純的接收輸入的值



```
BluetoothChat - [D:\BluetoothChat] - [Application] - ...Application\src\main\java\com\example\android\bluetoothchat\BluetoothChatFragment.java - Android Studio 2.2.3
File Edit View Navigate Code Analyze Refactor Build Run Tools VCS Window Help
Application
src main java com example android bluetoothchat BluetoothChatFragment
BluetoothChatService Constants DeviceListActivity MainActivity
package com.example.android.bluetoothchat;
import ...
/**
 * This fragment controls Bluetooth to communicate with other devices.
 */
public class BluetoothChatFragment extends Fragment {

    private static final String TAG = "BluetoothChatFragment";

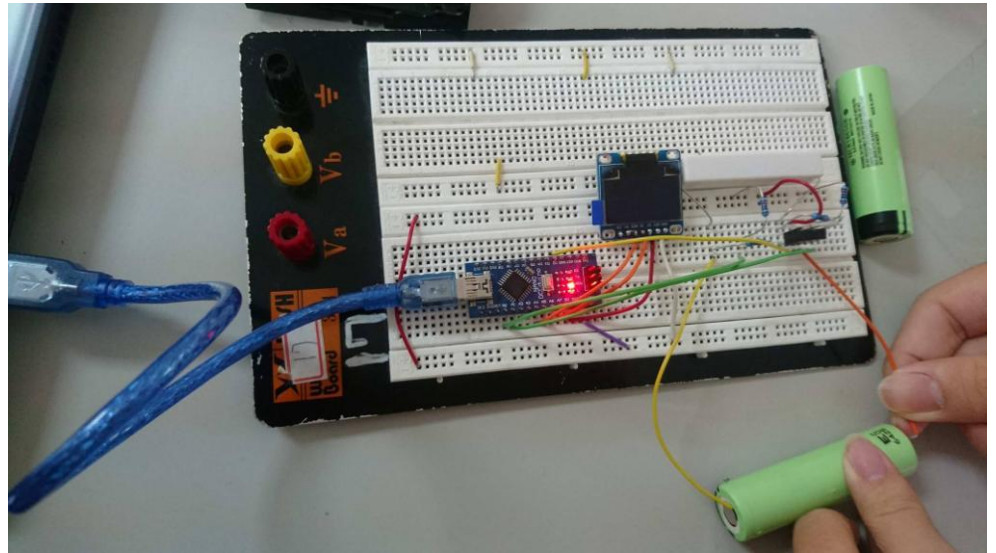
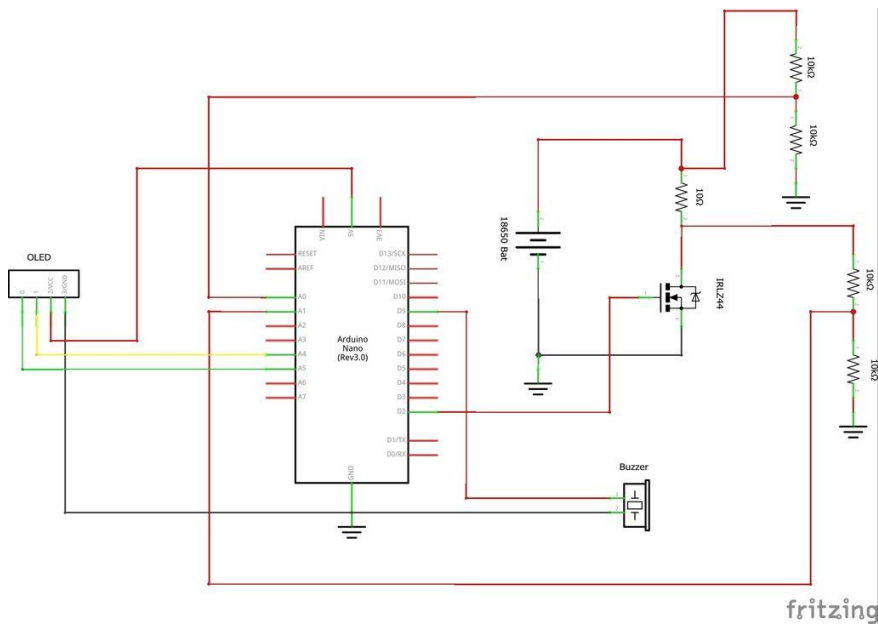
    // Intent request codes
    private static final int REQUEST_CONNECT_DEVICE_SECURE = 1;
    private static final int REQUEST_CONNECT_DEVICE_INSECURE = 2;
    private static final int REQUEST_ENABLE_BT = 3;

    // Layout Views
    private ListView mConversationView;
    private EditText mOutEditText;
    private Button mSendButton;

    /**
     * Name of the connected device
     */
    private String mConnectedDeviceName = null;
```

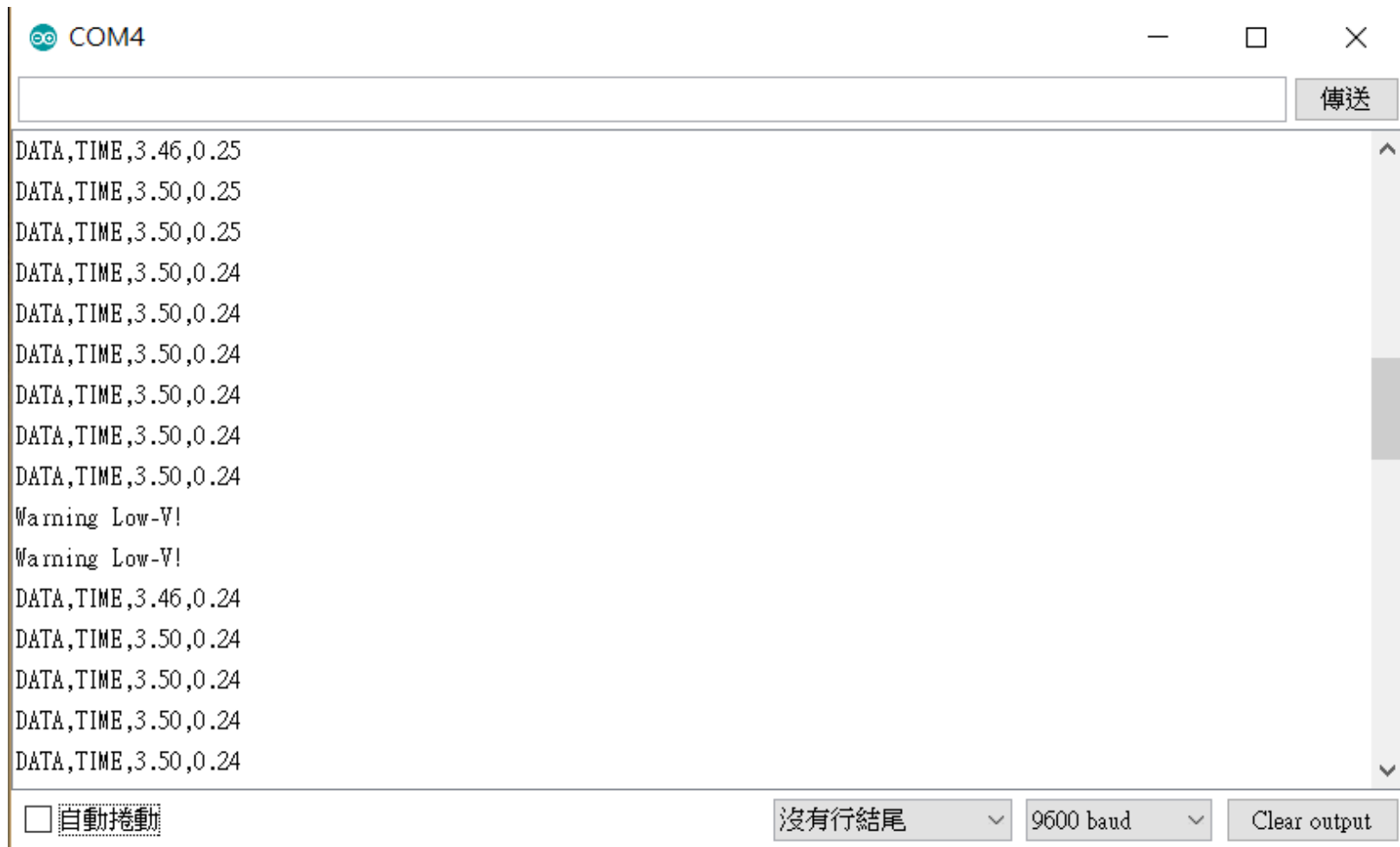
本週進度

電量顯示目前在實驗階段，電路圖如下，用兩顆電池測試其差異



本週進度

第一次實測電壓兩顆電池皆為**3.5**伏特，電流為**0.24**安培



The screenshot shows a serial terminal window titled "COM4". The window contains a list of data points and warnings. The data points are in the format "DATA, TIME, voltage, current". The warnings are "Warning Low-V!". The terminal also has a "傳送" (Send) button at the top right and a status bar at the bottom with options like "自動捲動" (Auto scroll), "沒有行結尾" (No line ending), "9600 baud", and "Clear output".

```
COM4  
DATA, TIME, 3.46, 0.25  
DATA, TIME, 3.50, 0.25  
DATA, TIME, 3.50, 0.25  
DATA, TIME, 3.50, 0.24  
DATA, TIME, 3.50, 0.24  
DATA, TIME, 3.50, 0.24  
DATA, TIME, 3.50, 0.24  
DATA, TIME, 3.50, 0.24  
DATA, TIME, 3.50, 0.24  
DATA, TIME, 3.50, 0.24  
Warning Low-V!  
Warning Low-V!  
DATA, TIME, 3.46, 0.24  
DATA, TIME, 3.50, 0.24  
DATA, TIME, 3.50, 0.24  
DATA, TIME, 3.50, 0.24  
DATA, TIME, 3.50, 0.24
```

自動捲動 沒有行結尾 9600 baud Clear output

