

# 專題規劃

## 題目－農耕機器人

指導教授：李博明

組員:4A337091 高光廷  
4A337048 張峻承  
4A337099 陳義文  
4A337073 張呔旗

# 本週進度

初次pi 板與手機藍芽配對成功，但當要求輸入金鑰時，馬上顯示為連線失敗，且藍芽套件自動被移除，後來發現網路上有資料顯示Raspbian作業系統使用的BlueZ支持的bluetooth spec為4.1 而PI3 的晶片只支援AVRCP、GAP profile 所以會配對失敗。

資料來源: <https://kknews.cc/zh-tw/digital/e98452z.html>

```
[bluetooth]# pair D0:13:FD:EF:17:95
Attempting to pair with D0:13:FD:EF:17:95
[CHG] Device D0:13:FD:EF:17:95 Connected: yes
Failed to pair: org.bluez.Error.AuthenticationFailed
[CHG] Device D0:13:FD:EF:17:95 Connected: no
```

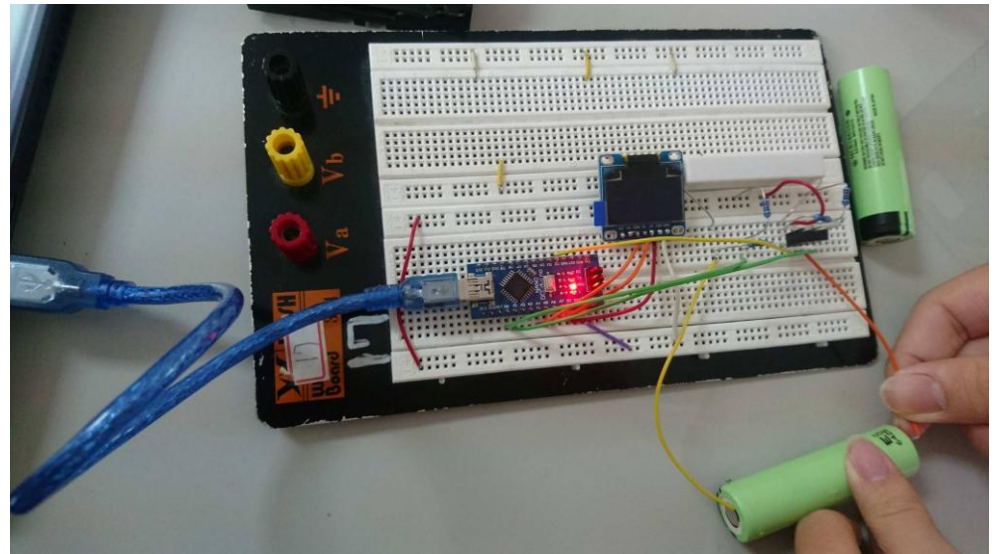
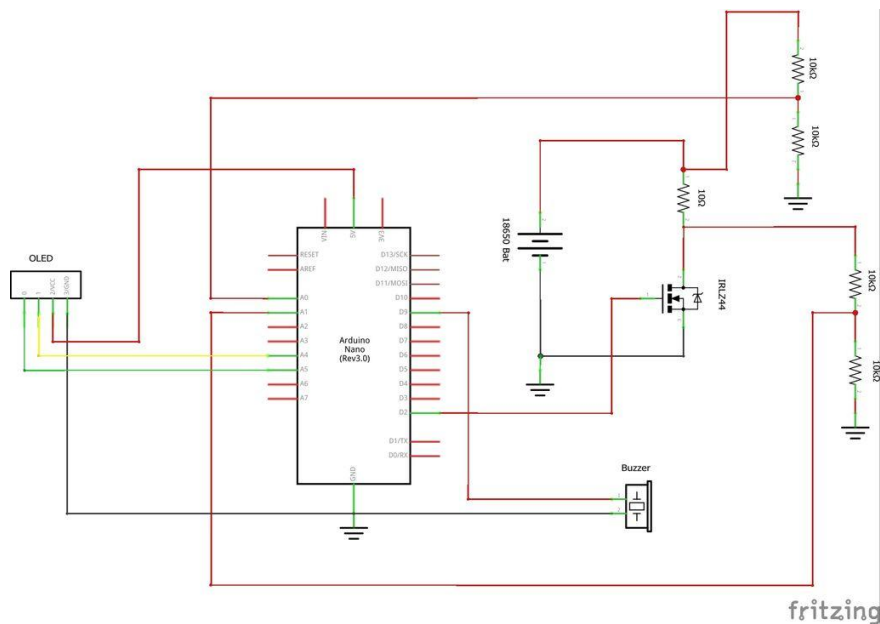
# 本週進度

## 連線失敗

```
[bluetooth]# connect D0:13:FD:EF:17:95
Attempting to connect to D0:13:FD:EF:17:95
[CHG] Device D0:13:FD:EF:17:95 Connected: yes
[CHG] Device D0:13:FD:EF:17:95 Modalias: bluetooth:v00C4p13A1d1000
[CHG] Device D0:13:FD:EF:17:95 UUIDs:
    00001105-0000-1000-8000-00805f9b34fb
    0000110a-0000-1000-8000-00805f9b34fb
    0000110c-0000-1000-8000-00805f9b34fb
    0000110e-0000-1000-8000-00805f9b34fb
    00001112-0000-1000-8000-00805f9b34fb
    00001116-0000-1000-8000-00805f9b34fb
    0000111f-0000-1000-8000-00805f9b34fb
    0000112f-0000-1000-8000-00805f9b34fb
    00001132-0000-1000-8000-00805f9b34fb
    00001200-0000-1000-8000-00805f9b34fb
    00001800-0000-1000-8000-00805f9b34fb
    00001801-0000-1000-8000-00805f9b34fb
Failed to connect: org.bluez.Error.Failed
[CHG] Device D0:13:FD:EF:17:95 Connected: no
```

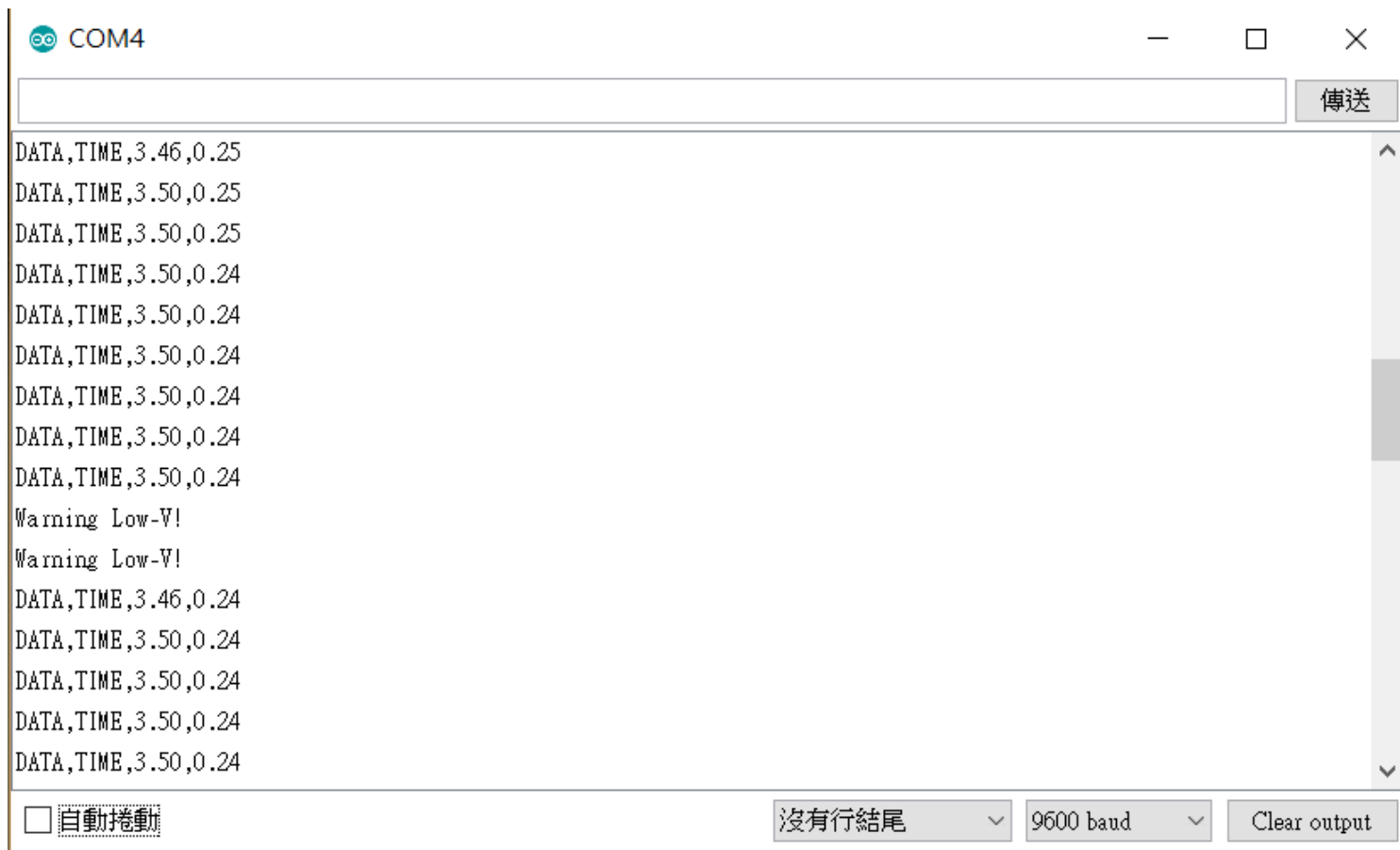
# 本週進度

電量顯示目前在實驗階段，電路圖如下，因為網路上找不到**Respberry Pi 3**板的範例，所以先用**Arduino nano** 來測試電量，並用使用兩顆電池測試其結果是否有差異



# 本週進度

實測電壓兩顆電池皆為**3.5**伏特，電流為**0.24**安培



The screenshot shows a terminal window titled "COM4" with a text input field and a "傳送" (Send) button. The output area contains the following text:

```
DATA,TIME,3.46,0.25  
DATA,TIME,3.50,0.25  
DATA,TIME,3.50,0.25  
DATA,TIME,3.50,0.24  
DATA,TIME,3.50,0.24  
DATA,TIME,3.50,0.24  
DATA,TIME,3.50,0.24  
DATA,TIME,3.50,0.24  
DATA,TIME,3.50,0.24  
DATA,TIME,3.50,0.24  
Warning Low-V!  
Warning Low-V!  
DATA,TIME,3.46,0.24  
DATA,TIME,3.50,0.24  
DATA,TIME,3.50,0.24  
DATA,TIME,3.50,0.24  
DATA,TIME,3.50,0.24
```

At the bottom of the window, there are several controls: a checkbox for "自動捲動" (Auto scroll) which is currently unchecked, a dropdown menu set to "沒有行結尾" (No line ending), a dropdown menu set to "9600 baud", and a "Clear output" button.

# 本週進度

手機顯示方面目前用**app inventor** 來進行手機與**Arduino** 板之藍芽連接，先單純回傳數據結果，再來與測試結果結合，但藍芽方面遇到連線問題尚在解決再來測試**app** 是否能夠正確執行